
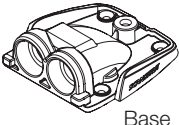
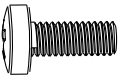


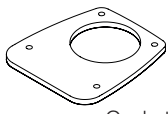

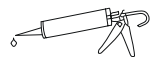


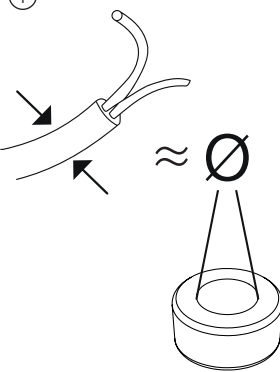


Part List	
 Shell x1	 Base x1
 M5X 10 Bolt - (Black) x1	 2x Blank 2x 6mm 2x 7mm 2x 8mm 2x 9mm 2x 10mm
 No. 6 X16 Self tapping screw x4	 Gasket x1
	Bungs x6

Tools Required	
 Pozi Screwdriver	 Silicone
 ø2.5mm (3/32") ø3mm (1/8") Drill Bit	 ø32mm (1-1/4") Hole Saw/Drill Bit

①



Choose bung closest to cable ø.

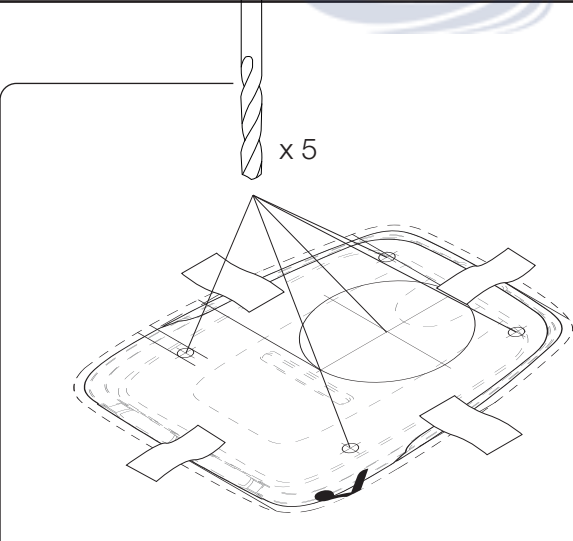
DE - Wähle Dichtung nahe dem Kabel ø.

IT - Scegliere il passafili adatto al ø del cavo.

ES - Elija el tapón con el diámetro más parecido al cable.

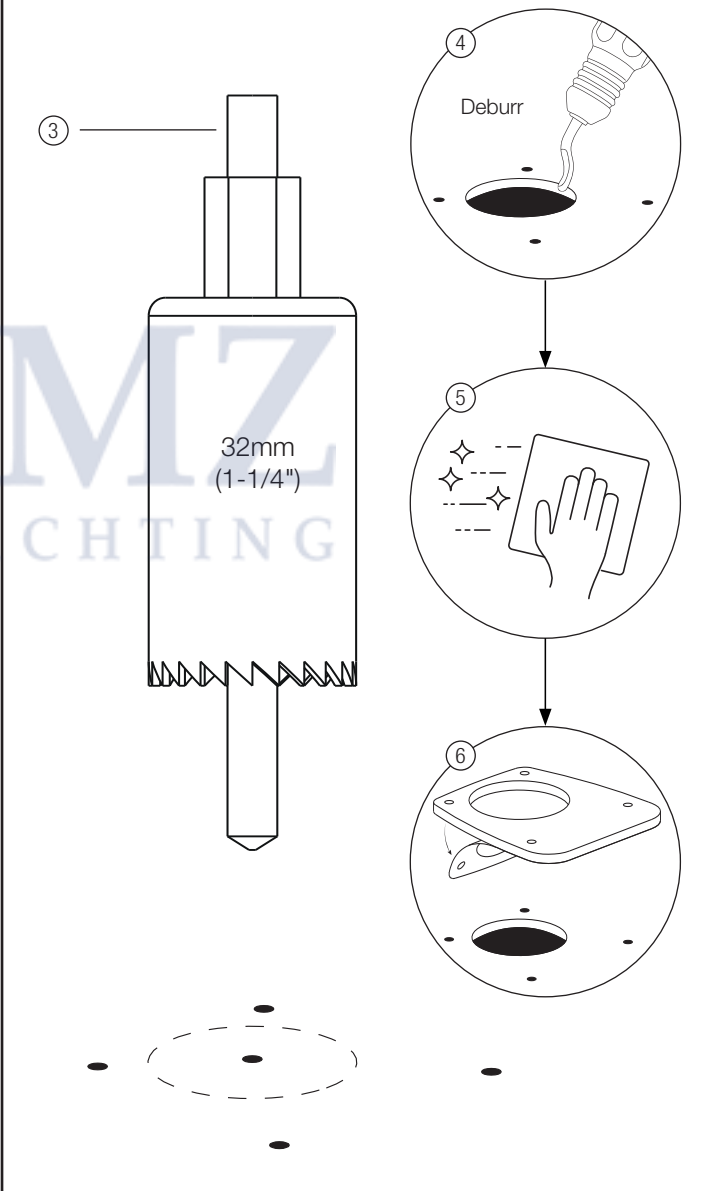
FR - Choisissez le joint le plus proche du diamètre du câble.

②



x 5

Material	Drill	Fixing
<b>Soft Material</b> e.g. plywood	2.5mm (3/32")	No.6 Screw (Included)
<b>Hard Material</b> e.g. fiberglass, hardwoods, acrylics	3mm (1/8")	
<b>Metal</b> e.g. Steel, aluminium	3mm (1/8")	<u>Recommended</u> >12mm x M3 Countersunk Bolt with washer and Nyloc (Not included)



③ 32mm (1-1/4")

④ Deburr

⑤

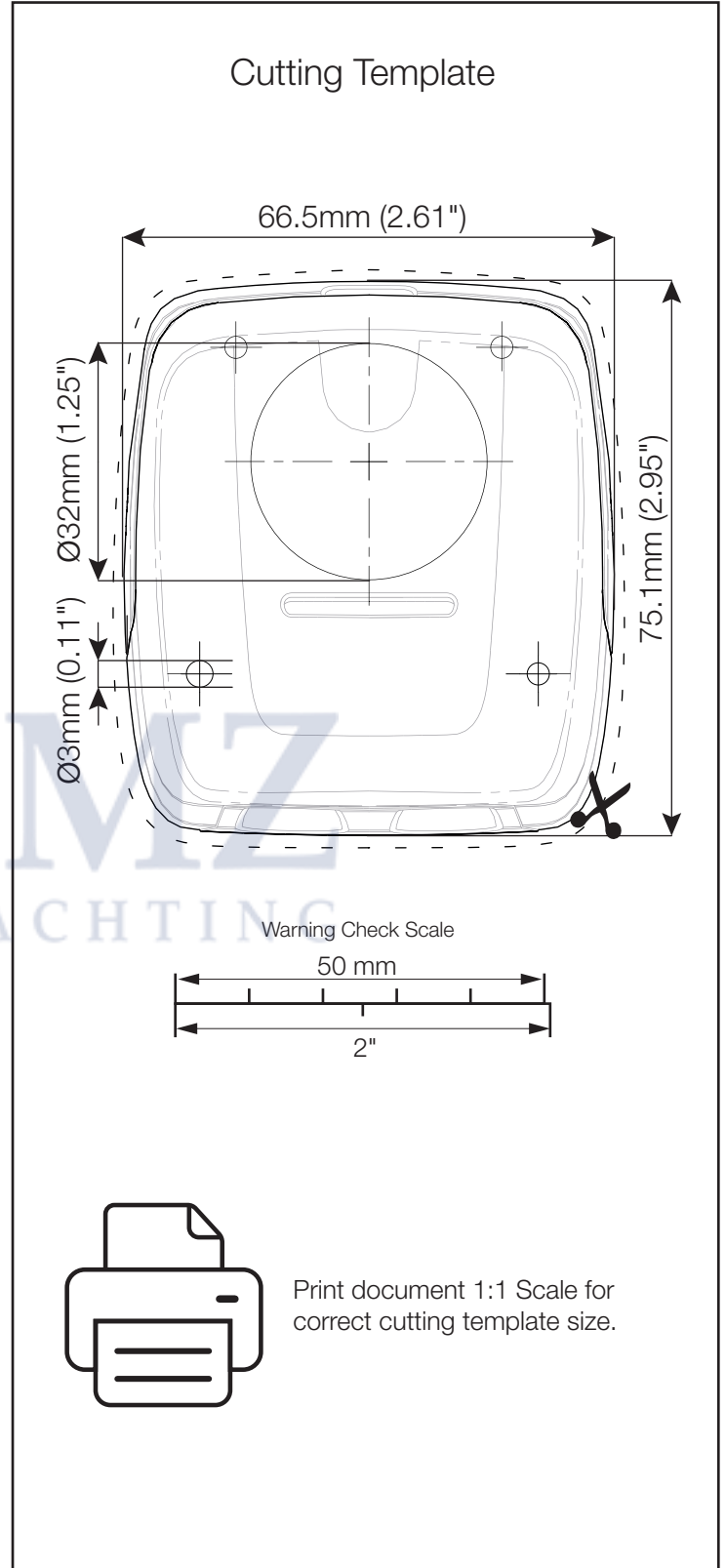
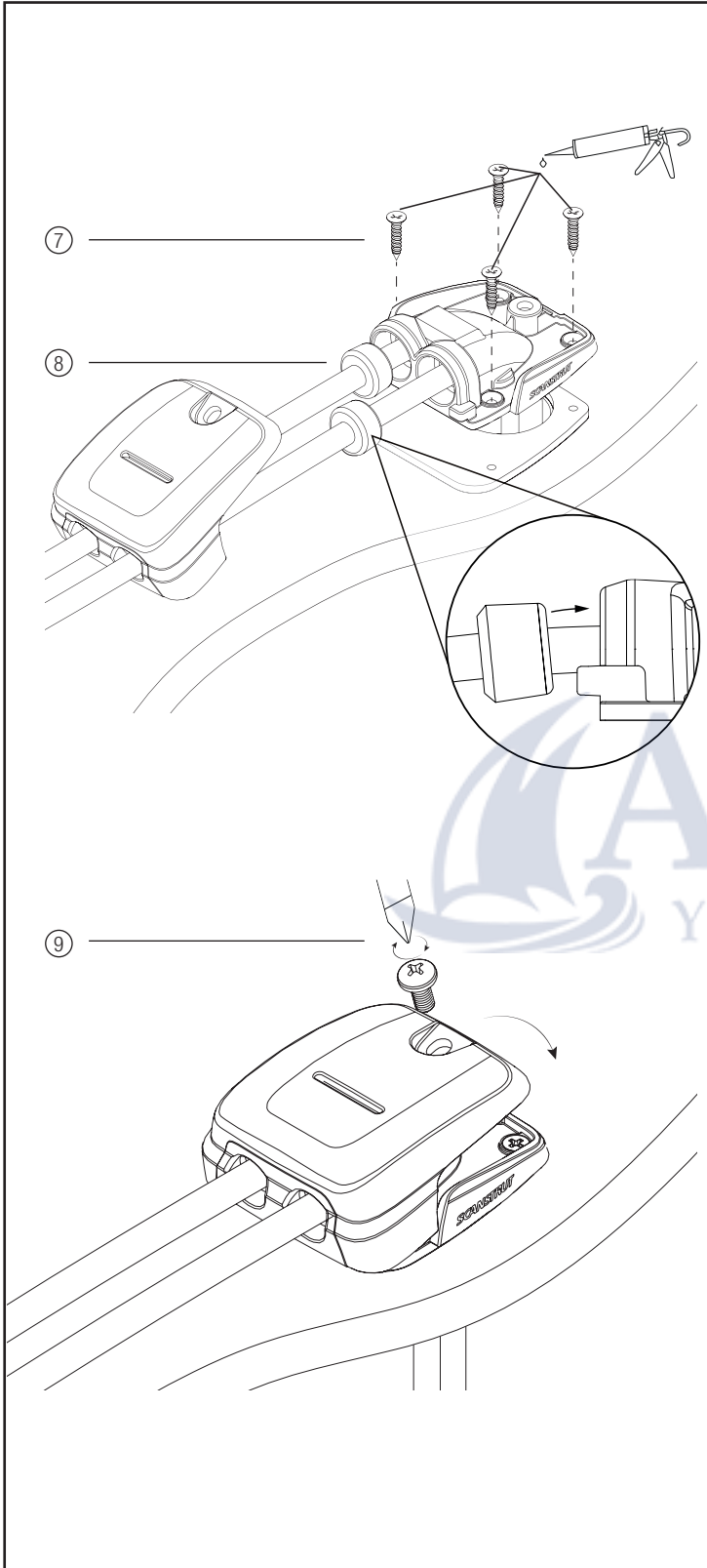
⑥

UK & International +44 (0)1392531280 sales@scanstrut.com

For further installation and warranty information please visit: www.scanstrut.com

USA +1 860 308 1416 usasales@scanstrut.com





UK & International  
+44 (0)1392531280  
sales@scanstrut.com

For further installation  
and warranty information  
please visit:  
www.scanstrut.com

USA  
+1 860 308 1416  
usasales@scanstrut.com

